

BHDPVM100/40IP/MSP30X
40MP 360° Panoramic +PTZ Multi Sensor camera



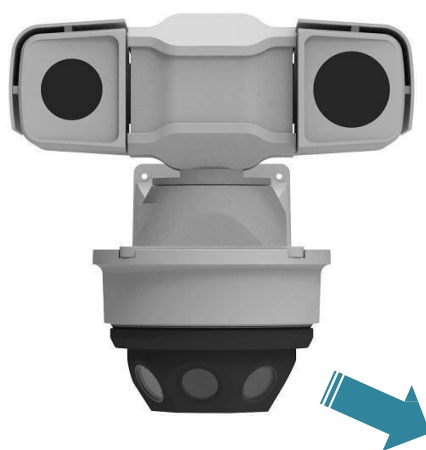
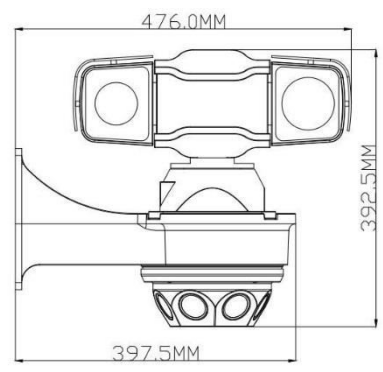
Features:

- 8-sensor Panoramic camera plus PTZ camera integration design
- One-touch link function, capture panorama and close-up meantime
- Real-time surveillance, 360° coverage
- No distortion, no gap, no different exposure in panoramic image
- WDR, AWB, AGC, AS, 3D DNR
- 40MP(2592x1944x8)@30fps for panoramic camera
- 20X digital zoom in panoramic image, 30X optical zoom in PTZ
- 3D immersive control, zoom in/out, drag any position in panoramic image by mouse

Application:

360° panoramic + PTZ multi sensor camera is a combination of 5-sensors panoramic camera and PTZ, it provides both panorama and close-up surveillance view to users, one-touch link function makes PTZ promptly position the details over panoramic view. It is perfect to be adopted in large-scale square, Industry Park, stadium, exhibition & convention center, airport, seaport, city surveillance

Dimension:



2MP PTZ with Array IR

One-Touch link between PTZ and Panoramic Camera



360° field of view based on 8x5MP sensors stitching

Specifications:

360° Panoramic +PTZ Multi sensor camera			
Panoramic Camera	Image Sensor	1/1.8" Progressive Scan CMOS	
	Image Sensor Qty.	8 sensors	
	Minimum Illumination	Color: 0.01Lux @ F1.2 AGC On B/W: 0.001Lux@ F1.2AGC On	
	Lens:	4.5mm/F1.6	
	Angel of View	360°	
	S/N	≥50dB	
	Others	WDR,AWB, AGC, AS, 3D DNR	
	Image Compression	H.264 , H.264(Baseline/Main Profile/High Profile)	
	Max. Image Resolution	40MP(1944x2592x8)	
	Resolution & Frame rate	Main stream :	50Hz: 25fps (1944x2592x8, 1536x2048x8, 960x1280x8) 60Hz: 30fps (1944x2592x8, 1536x2048x8, 960x1280x8)
Sub stream :		50Hz: 25fps (480x640x8, 240x320x8) 60Hz: 30fps (480x640x8, 240x320x8)	
3D Immersive Control	Zoom in/out, drag any position in panoramic image by mouse		
Protocols	TCP/IP、HTTP、HTTPS、DHCP、UDP、RTP、RTCP、RTSP、SNMP、802.1x、UPnP、DDNS、SMTP、Bonjour		
Tracking PTZ Camera	Image Sensor	1/2.8" Progressive Scan CMOS	
	Minimum Illumination	Color: 0.01 Lux@(F1.2,AGC ON); B/W: 0.001 Lux@(F1.2,AGC ON)	
	S/N	≥50dB	
	2D 3D DNR	Support	
	Focal Length	4.3~129mm, 30X optical zoom	
	IR Distance	100 meters	
	Image Compression	H.264 , H.264(Baseline/Main Profile/High Profile)	
	Max. Image Resolution	1920×1080	
	Resolution & Frame rate	Main stream :	50Hz:25fps 1920×1080 , 60Hz:30fps 1920×1080
		Sub stream :	50Hz:25fps 640×360 , 60Hz:30fps 640×360
	Range	Pan: 360 ° endless; Tilt: -90°~ 90°	
	Speed	Pan Manual Speed: 0°~60°/s, Tilt Manual Speed: 0°~40°/s	
Interface	Reset	Support	
	Alarm	Alarm in/out	
	Ethernet	1xRJ45 , 10M/100M/1000M Ethernet interface	
General	Working Temperature& Humidity	-40℃~60℃/95%RH	

	Protection Level	IP66 standard, TVS 6,000V lightning protection, surge protection and voltage transient protection
	Power Supply	DC24V
	Power Consumption	Max. 80W
	Dimension	476×392.5mm
	Weight	13kg

*Design and specifications are subject to change without notice.

Management System Interface

