

BTDPVM450/2.0IP/SPD33X

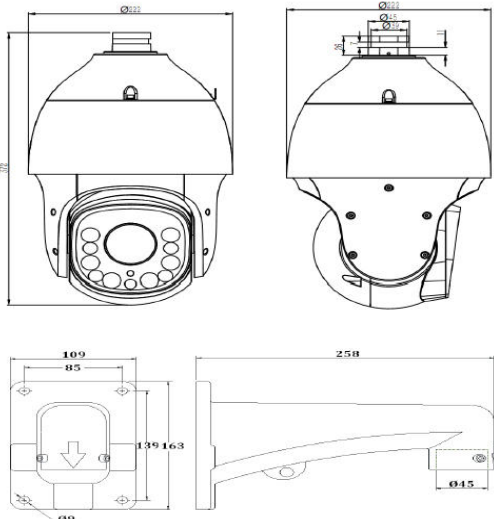
2MP H.265 33X Starlight IR PTZ CAMERA



Features

- 1/2.8" CMOS Sensor
- Resolution: Up To 1920 X 1080 @ 25 / 30fps
- H.265 Video Compression
- 4.7 - 141mm Lens, 33X Optical Zoom, 16X Digital Zoom
- Smart IR, IR Distance upto 450 mtr
- Starlight Ultra Low Light 0.002lux
- Triple Stream
- Speed Max 400°/s, -16°~90° Tilt Angle
- Mechanical WDR 140dB, 3DDNR, HLC, BLC, Smart Defog, ROI, Privacy Mask
- Audio in/out 1(Built-in Mic)/1,Alarm in/out 1/1,
- MicroSD Card Slot supports up to 128GB, Reset Button
- **Analytics:** Tripwire / Double Tripwire / Perimeter / Object Abandon / Object Lost / Running / Loitering / Parking / Crowd / Audio Abnormal Detection / Video Abnormal Detection
- **Alarm:** Motion Detection, Mask Alarm, Port Alarm, Network Disable Alarm, IP Conflict, MAC Conflict Detection
- 6000V Lightning/Surge Protection
- IP66, Metal

Dimensions



| | |
|---------------------------|---|
| Camera | |
| Image Sensor | 1/2.8" CMOS |
| Effective Pixels | 1920(H)x1080(V) |
| Signal System | PAL/NTSC |
| Minimum Illumination | Color:0.002Lux @ (F1.6,AGC ON) Black&White:0.001Lux @ (F1.6,AGC ON) 0 Lux with IR |
| White Balance | Auto/ ATW/ Manual |
| AGC | Auto/ Manual |
| S/N Ratio | ≥ 55dB |
| BLC | Y |
| HLC | Y |
| Smart Defog | Y |
| WDR | 140dB |
| Digital Noise Reduction | 3D DNR |
| Exposure Mode | Auto/ Manual/Shutter priority/ Aperture priority |
| Shutter Time | 1/1s~1/10000s |
| Day& Night | IR Cut Filter with Auto Switch |
| Optical Zoom | 33X |
| Digital Zoom | 16X |
| Privacy Masking | 24 Dynamic Privacy Mask Programmable; Optional Multiple Colors |
| Auto Focus | Auto/ Semi-automatic/ Manual |
| OSD | Size:16×16, 32×32, 24×24, 48×48, 64×64, 96×96 Letters, Week, Date, Time, Total 5 Regions |
| S/N Ratio | >60dB |
| Lens | |
| Focal Length | 4.7-141mm |
| Zoom Speed | Approx.4s(Optical Wide-Tele) |
| Angle of View | 60.5°(w) ~ 2.3°(t) |
| Minimum Working Distance | 1-1.5m(Wide-Tele) |
| Aperture Range | F1.5-F4.0 |
| Pan & Tilt | |
| Pan Range | 360° Endless |
| Pan Speed | Pan Manual Speed: 0.1°~240°/s Pan Preset Speed: 240°/s |
| Preset Accuracy | ±0.2° |
| Tilt Range | -16°~90° (Auto Flip) |
| Tilt Speed | Tilt Manual Speed: 0.1°~240°/s Tilt Preset Speed: 240°/s |
| Proportional Zoom | Rotation Speed Can Be Adjusted Automatically According to Zoom Multiples |
| 3D Position | Y |
| Number of Preset | 500 |
| Scan | 8 |
| Cruise | 16, up to 32 Presets per Cruise |
| Pattern | 8, Each One With 600s Memory or 300 Orders |
| Power Loss Recovery | Y |
| Guard Action | Preset/ Cruise/ Pattern/ Scan |
| PTZ Position Display | Y |
| Freeze Frame | Y |
| Infrared | |
| IR Irradiation Distance | 450m |
| IR Irradiation Angle | Adjustable by Zoom |
| Interface | |
| Audio Input | 1-ch Mic in(Line in Interface) Line Input 2-2.4V(p-p); Output Impedance 1KΩ, ±10% |
| Audio Output | 1-ch Line level, Impedance: 600Ω |
| Communication Interface | 1-ch RJ45 10M/ 100M Ethernet Interface |
| Alarm Input | 1-ch |
| Alarm Output | 1-ch |
| On-board Storage | MicroSD Card Slot,up to 128GB |
| Network | |
| Ethernet | 10Base -T/100Base-TX RJ45 Connector |
| Max.Image Resolution | 1920x1080 |
| Main Stream | 1920x1080@25/30fps; 1280x960@25/30fps; 1280x720@25/30fps;1280x720@50/60fps 704x576@25/30fps;704x480@50/60fps |
| Sub Stream | 704x576@25fps/704x480@30fps 352x288@25fps/352x240@30fps 176x144@25fps/176x120@30fps |
| Third Stream | 352x288@25fps/352x240@30fps |
| Image Compression | H.265/H.264 High Profile/MJPEG |
| ROI Encoding | 7 Dynamic Areas for Both Main and Sub Stream |
| Audio Compression | G711A/G711U/ADPCM/AAC |
| Protocols | TCP/UDP/HTTP/MULTICAST/UPnP/DHCP/PPPoE/DDNS/NFS/FTP/NTP/RTP/RTSP /IPv6/SNMP/SMTP |
| Audio Bit Rate | 8K~48Kbps |
| Video Bit Rate | 32K~16000Kbps |
| No. of Simultaneous Users | 5 Users Access at the Same Time |
| User/Host Level | Up to 32 Users, 4 Levels |
| Security Measures | User Authentication (ID and PW), Host Authentication (MAC Address), IP Address Filtering |
| Web Browser | IE8,IE9,IE10,IE11,Firefox3.5+ |
| System Compatibility | ONVIF (Profile S), SDK |
| Advance | |
| Video Analytics | Tripwire/Double Tripwire/Perimeter/Object Abandon/ Object Lost/Running/Loitering/Parking/Crowd/ Audio Abnormal Detection/Video Abnormal Detection |
| Intelligent Alarm | Motion Detection, Mask Alarm, Port Alarm,Network Disable Alarm, IP Conflict, MAC Conflict Detection |
| General | |
| Language | English, Spanish, Korean, Italian, Turkish,Thai, Russian, Polish,French,Traditional Chinese,Simplified Chinese |
| Operating Conditions | -40°C 70°C, 0~95% RHG |
| Power Supply | AC24V 3A |
| Power Consumption | 18.6W(IR OFF)/ 32.36W(IR ON) |
| Circuit Protection | 6000V, Lightning/ Surge 4000V Protection |
| Impact Protection | IP66 |
| Wiper | N/A |
| IR LEDs | 10pcs |
| Dimensions | 222mmx222mmx372mm |
| Weight | 5KG (IP PTZ Only), 8.45KG (with Packing Box) |