

BTDDFM30/5.0IP/INT

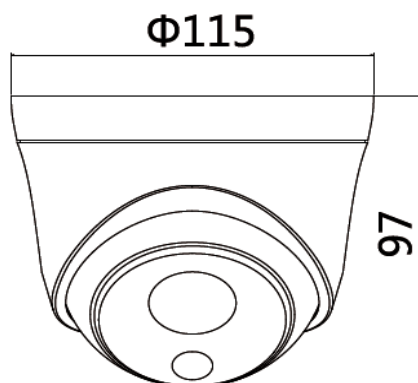
5MP H.265 Intelligent Lite Series IR Dome Camera



Features

- 1/2.8" CMOS Sensor
- Resolution: 2592X1944 @ 18fps
- H.265 Video Compression
- 2.8 mm Lens
- Smart IR, IR Distance upto 30 mtr
- Triple Stream
- WDR, 3DDNR, HLC, Smart Defog, Corridor Mode
- **Analytics** : Tripwire / Double Tripwire / Perimeter / Object Abandon / Object Lost / Running / Loitering / Parking / Crowd / Video Abnormal Detection/people counting
- **Alarm**: Motion Detection, IP Conflict, MAC Conflict, Mask Alarm
- IP66, Metal Body

Dimensions



Camera	
Image Sensor	1/2.8" CMOS
Core Processor	ARM7 Architecture
Operating System	Embedded Linux
Signal System	PAL/NTSC
Min. Illumination	Color: 0.002 Lux(F1.6,AGC ON) B/W: 0.001Lux(F1.6,AGC ON)
Shutter Time	1s to 1/100,000s
Lens	2.8mm
Wide Dynamic Range	120dB
Digital Noise Reduction	3D DNR
Compression Standard	
Video Compression	S+265 / H.265 / H.264 / M-JPEG
Video Bit Rate	32Kbps ~ 16Mbps
Image	
Max. Image Resolution	2592 × 1944
Frame Rate	PAL : 2592*1944@18fps, 2560*1920@20fps, 2592*1520@25fps, 1440P@25fps, QXGA@25fps, 1080P@25fps, 960P@25fps, 720P@25fps, 640*360@25fps, 4CIF@25fps, 2CIF@25fps, CIF@25fps NTSC : 2592*1944@18fps, 2560*1920@20fps, 2592*1520@25fps, 1440P@25fps, QXGA@30fps, 1080P@30fps, 960P@30fps, 720P@30fps, 640*360@30fps, 4CIF@30fps, 2CIF@30fps, CIF@30fps
Stream	Mainstream: 5MP (2592×1944) Substream: 4CIF (704×576) Third stream: CIF (352×288)
Image Settings	Brightness, Saturation, Contrast, Flip Mode Adjustable by Client Software or Web Browser
HLC	Yes
Smart IR	Yes
Corridor Mode	Y, Available for 720P and Above
Smart Defog	Yes
OSD	16×16, 32×32, 24×24, 48×48, 64×64, 96×96 Size Letters Such as Week, Date, Time, Total 1 Regions
Network	
Browser	Built-in Web Server
Video Analytics	Tripwire / Double Tripwire / Perimeter / Object Abandon / Object Lost / Running / Loitering / Parking / Crowd / Video Abnormal Detection / People Counting
Alarm Trigger	Motion Detection / IP Conflict / MAC Conflict / Mask Alarm
Protocols	TCP / UDP / HTTP / UPnP / DHCP / DDNS / NFS / FTP / NTP / RTSP / SMTP / SNMP
User Permission	≤ 7 Users
System Compatibility	ONVIF (Profile S), P2P
Interface	
Communication Interface	1-ch RJ45 10M / 100M Ethernet Interface
General	
Language	English, Simplified Chinese, Traditional Chinese, Spanish, Italian, Korean, Turkish, Russian, Thai, Polish, French
Operating Conditions	-35°C~60°C(IR off), -30°C~40°C (IR on) 0~95% RHG
Power Supply	DC 12 V ± 20%, POE
Power Consumption	Max. 3W(IR OFF) (ICR Instant Switch 5.5W)
Impact Protection	IP66
IR Range	20-30m
Dimensions	115mm × 115mm × 97mm
Weight	0.5Kg

Product Specifications are subject to change without prior notice. The Images shown are only indicative, actual product may vary. Product features are tested under ideal conditions.