

BTDDFM20/5.0IP/INT

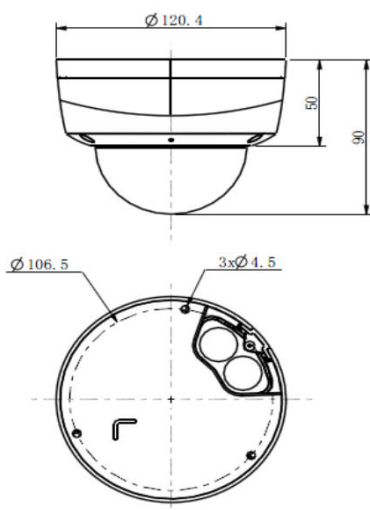
5.0MP Starlight Vandalproof Mini IR Dome Camera



Features

- Vandal Proof
- 1/2.8" CMOS Sensor
- Resolution: Up To 5MP, 2592x1944
- H.265 Video Compression
- 2.8 mm Lens, Angle of View: 101°
- Smart IR, IR Distance upto 20 mtr
- Starlight Ultra Low Light 0.002lux
- Triple Stream
- WDR 120dB, 3DDNR, HLC, Smart Defog, Corridor Mode, EIS, ROI, Privacy Mask, ANR
- Built-in Mic, Audio I/O 1/0, MicroSD Card Slot supports up to 128GB
- **Analytics** : Tripwire / Double Tripwire / Perimeter / Object Abandon / Object Lost / Running / Loitering / Parking / Crowd / Audio Abnormal Detection / Video Abnormal Detection
- **Alarm**: Motion Detection / IP Conflict / MAC Conflict / Port Alarm / Mask Alarm
- 6000V Lightning/Surge Protection
- IP67, IK10, Metal Body

Dimensions



Camera	
Image Sensor	1/2.8" CMOS
Core Processor	ARM7 Architecture
Operating System	Embedded Linux
Signal System	PAL/NTSC
Min. Illumination	Color: 0.002Lux(F1.6,AGC ON) B/W: 0.001Lux(F1.6,AGC ON); 0Lux with IR
Shutter Time	1s~1/100000s
Lens	2.8mm, Angle of View: 101°
Lens Mount	M12
Day& Night	Dual IR Cut Filter with Auto Switch
WDR	120 dB
DNR	3D DNR
S/N Ratio	>60dB
Compression Standard	
Video Compression	S+265 / H.265 / H.264H / H.264M / H.264B / MJPEG
Video Bit Rate	32Kbps~16Mbps
Audio Compression	G.711A / G.711U / ADPCM / AAC_LC
Audio Bit Rate	G711 8KHz, 64kbps ADPCM 8KHz, 32kbps AAC 48KHz, 96-320kbps
Image	
Max. Image Resolution	2592x1944
Frame Rate	PAL : 2592*1944@18fps, 2560*1920@20fps, 2592*1520@25fps, 1440P@25fps, QXGA@25fps, 1080P@25fps, 960P@25fps, 720P@25fps, 640*360@25fps, 4CIF@25fps, 2CIF@25fps, CIF@25fps NTSC : 2592*1944@18fps, 2560*1920@20fps, 2592*1520@25fps, 1440P@25fps, QXGA@30fps, 1080P@30fps, 960P@30fps, 720P@30fps, 640*360@30fps, 4CIF@30fps, 2CIF@30fps, CIF@30fps
Streaming	Mainstream: 2592x1944 Substream: D1 (704x576) 3rd stream: CIF(352x288)
Image Settings	Brightness, Saturation, Contrast, Sharpness, Image Enhancement, Flip Mode Adjustable by Client Software or Web Browser
HLC	YES
Smart Defog	YES
Corridor Format	YES, Available for 720P and Above
EIS	YES
ROI	4 Zones
Privacy Mask	4 Zones
Picture Overlay	200 × 200, BMP 24bit, Zone Configurable
OSD	Size:16×16, 32×32, 24×24, 48×48, 64×64, 96×96 Letters, Week, Date, Time, Total 5 Regions
Network	
Browser	IE,Chrome,Firefox, Safari, Plug-in Free
Network Storage	FTP
NTP	YES
ANR	Y, Auto store video in SD card when NVR disconnected, and upload video to NVR when resumed connection(Only Support BPL ANR NVR)
Video Analytics(VCA)	Tripwire / Double Tripwire / Perimeter / Object Abandon / Object Lost / Running / Loitering / Parking / Crowd / Audio Abnormal Detection / Video Abnormal Detection
Alarm Trigger	Motion Detection / IP Conflict / MAC Conflict / Port Alarm / Mask Alarm
Protocols	IPv4 / IPv6 / HTTP / FTP / SMTP / UPnP / SNMP / DNS / DDNS / NTP / RTSP / TCP / UDP / DHCP
User Permission	4 Level/8 Users
Remote Connection	7 Users Access at the Same Time
System Compatibility	ONVIF (Profile S),P2P, SDK, CGI
Interface	
Audio Input	1-ch, Mic in
Ethernet	1-ch RJ45 10M / 100M
On-board Storage	MicroSD Card Slot supports up to 128GB
Reset	YES
General	
Language	English,Spanish,Korean,Italian,Turkish,Thai,Russian,Traditional Chinese,Simplified Chinese,Polish,French
Operating Conditions	-35°C~60°C(IR OFF) /-35°C~40°C(IR ON), 0~95% RHG
Power Supply	DC 12 V ± 10%, PoE (802.3af)
Power Consumption	Max. 5W(IR OFF) (ICR Instant Switch 10W) Max. 7W(IR ON)
Circuit Protection	6000V Lightning/Surge Protection: (Power 2000V, RJ45 1000V)
Impact Protection	IP66, IK10
IR Range	Up to 20 mtr
IR LEDs	8pcs Array
Dimensions	120mm × 120mm × 90mm
Weight	0.7KG (IP Camera Only); 0.9KG (with Packing Box)

Product Specifications are subject to change without prior notice. The images shown are only indicative, actual product may vary. Product features are tested under ideal conditions.