

**BTDDFM20/4.0IP/INT**

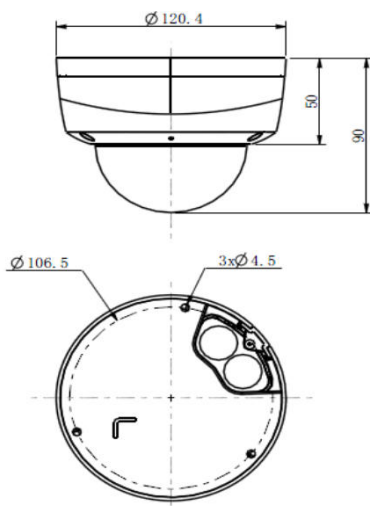
**4.0MP H.265 Vandalproof IR Dome Camera**



**Features**

- Vandal Proof
- 1/3" CMOS Sensor
- Resolution: 2560x1440@25fps
- H.265 Video Compression
- 2.8 mm Lens, Angle of View: 99°
- Smart IR, IR Distance upto 20 mtr
- Triple Stream, Low Bit rate control
- 3D DNR, WDR 120Db, HLC, Smart Defog, ROI, Corridor mode, EIS
- MicroSD Card Slot supports up to 128GB, Audio in/out 1/0
- 6000V Lightning/Surge Protection
- VCA Tripwire / Double Tripwire / Perimeter / Object Abandon / Object Lost / Running / Loitering / Parking / Crowd / Audio Abnormal Detection / Video Abnormal Detection
- IP67, IK10, Metal Body

**Dimensions**



<b>Camera</b>	
Image Sensor	1/3" CMOS
Core Processor	ARM7 Architecture
Operating System	Embedded Linux
Signal System	PAL/NTSC
Min. Illumination	Color: 0.05 Lux @(F1.2, AGC ON) B/W: 0.01Lux @(F1.2, AGC ON); 0 Lux with IR
Shutter Time	1s to 1/100,000s
Lens	2.8mm, Angle of View: 99°
Lens Mount	φ12
Adjustment Range	Pan:0° - 355°, Tilt: 0° - 75°, Rotation: 0° - 355°
Day & Night	IR Cut Filter with Auto Switch
WDR	120 dB
DNR	3D DNR
S/N Ratio	> 60dB
<b>Compression Standard</b>	
Video Compression	H.265 / H.264H / H.264M / H.264B / MJPEG
Video Bit Rate	32Kbps ~ 16Mbps
Audio Compression	G.711A / G.711U / ADPCM / AAC
Audio Bit Rate	G711 8KHz, 64kbps ADPCM 8KHz, 32kbps AAC 48KHz, 96-320kbps
<b>Image</b>	
Max. Image Resolution	1440P ( 2560 × 1440 )
Frame Rate	PAL: 1440P@25fps, QXGA@25fps NTSC: 1440P@25fps, QXGA@30fps
Streaming	Mainstream: 1440P ( 2560 × 1440 ) Substream: D1 ( 704 × 576 ) 3rd stream: CIF ( 352 × 288 )
Image Settings	Brightness, Saturation, Contrast, Flip Mode Adjustable by Client Software or Web Browser
HLC	YES
Smart Defog	YES
Corridor Format	YES
EIS	YES
ROI	4 Zones
Privacy Mask	4 Zones
Picture Overlay	200 × 200, BMP 24bit, Zone Configurable
OSD	Size:16×16, 32×32, 24×24, 48×48, 64×64, 96×96 Letters, Week, Date, Time, Total 5 Regions
<b>Network</b>	
Browser	IE8/Firefox24 or above
Network Storage	FTP
NTP	YES
ANR	Y, Auto store video in SD card when NVR disconnected, and upload video to NVR when resumed connection(Only Supports BPL Intelligent NVRs)
Video Analytics(VCA)	Tripwire / Double Tripwire / Perimeter / Object Abandon / Object Lost / Running / Loitering / Parking / Crowd / Audio Abnormal Detection / Video Abnormal Detection
Alarm Trigger	Motion Detection / IP Conflict / MAC Conflict / Port Alarm / Mask Alarm
Protocols	IPv4 / IPv6 / HTTP / 802.1x / FTP / SMTP / UPnP / SNMP / DNS / DDNS / NTP / RTSP / TCP / UDP / DHCP / PPPoE / HTTPS / ARP / RTP / QoS / BONJOUR / MULTICAST / ICMP / IGMP
User Permission	4 Level / 8 Users
Remote Connection	5 Users Access at the Same Time
System Compatibility	ONVIF (Profile S) ,P2P, SDK, CGI
<b>Interface</b>	
Audio Input	1-ch, Mic in
Ethernet	1-ch RJ45 10M/100M
On-board Storage	MicroSD Card Slot supports up to 128GB
Reset	YES
<b>General</b>	
Language	English, Spanish, Korean, Italian, Turkish, Thai, Russian, Polish, French, Traditional Chinese, Simplified Chinese
Operating Conditions	-35°C~60°C(IR OFF) /-35°C~40°C(IR ON), 0~95% RHG
Power Supply	DC 12 V ± 10%, PoE (802.3af)
Power Consumption	Max. 5W(IR OFF) (ICR Instant Switch 10W) Max. 7W(IR ON)
Circuit Protection	6000V Lightning/Surge Protection: (Power 2000V, RJ45 1000V)
Impact Protection	IP67, IK10
IR Range	20m
IR LEDs	8pcs Array
Dimensions	120mm × 120mm × 90mm
Weight	0.7KG (IP Camera Only); 0.9KG (with Packing Box)

Product Specifications are subject to change without prior notice. The Images shown are only indicative, actual product may vary. Product features are tested under ideal conditions.