

BTDBFM25/4.0IP/INT

4MP H.265 IR BULLET CAMERA

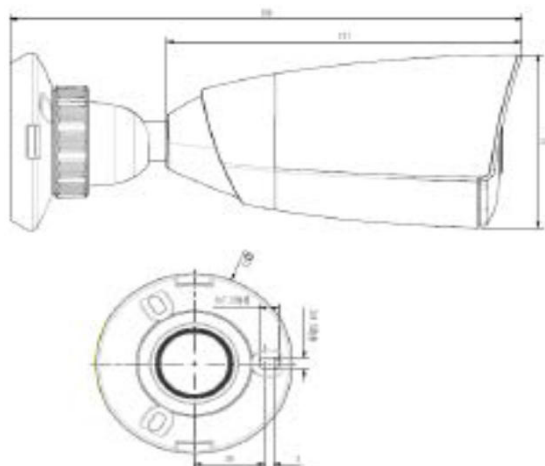


Camera	
Image Sensor	1/3" CMOS
Core Processor	ARM7 Architecture
Operating System	Embedded Linux
Min. Illumination	Color: 0.05Lux B/W: 0.01Lux; 0Lux with IR
Shutter Time	1s~1/10000s
Lens	4mm, Angle of View: 82.7°
Lens Mount	φ12
Day& Night	IR Cut Filter with Auto Switch
Wide Dynamic Range	120 dB
Digital Noise Reduction	3D DNR
S/N Ratio	>60dB
Compression Standard	
Video Compression	H.265 / S+264 / H.264 H / H.264 M / H.264 B / M-JPEG
Video Bit Rate	32Kbps~16Mbps
Image	
Max. Image Resolution	1440P (2560×1440) @ 25fps
Frame Rate	PAL : 1440P@25fps,QXGA@25fps NTSC : 1440P@25fps,QXGA@30fps
Triple Stream	Mainstream: 1440P(2560×1440) Substream: D1(704×576) 3rd Stream: CIF(352×288)
Image Settings	Brightness, Saturation, Contrast, Sharpness, Image Enhancement
HLC	Y
Smart Defog	Y
Corridor Format	Y
EIS	Y
ROI	4 Zones
Privacy Mask	4 Zones
Picture Overlay	200 × 200, BMP 24bit, Zone Configurable
OSD	16×16, 32×32, 24×24, 48×48, 64×64, 96×96 Size Letters Such as Week, Date, Time, Total 5 Regions
Network	
Browser	CHROME V45 or lower, IE, FIREFOX
Network Storage	FTP
NTP	Y
ANR	Y, Auto store video in SD card when NVR disconnected, and upload video to NVR when resumed connection(Only Support BPL ANR NVR)
Video Analytics	Tripwire / Double Tripwire / Perimeter / Object Abandon / Object Lost / Running / Loitering / Parking / Video Abnormal Detection
Alarm Trigger	Motion Detection / IP Conflict / MAC Conflict / Mask Alarm
Protocols	IPv4 / IPv6 / HTTP / 802.1x / FTP / SMTP / UPnP / SNMP / DNS / DDNS / NTP / RTSP / TCP / UDP / DHCP / PPPoE
User Permission	4 Level / 8 Users
Remote Connection	5 Users Access at the Same Time
System Compatibility	ONVIF (Profile S) ,P2P, SDK, CGI
Interface	
Communication Interface	1-ch RJ45 10M / 100M Ethernet Interface
On-board Storage	MicroSD Card Slot, up to 128GB
Reset	Y
General	
Language	English, Spanish, Korean, Italian, Turkish, Thai, Russian, Traditional Chinese, Simplified Chinese, Polish, French
Operating Conditions	-35°C~60°C(IR OFF) / -35°C~40°C(IR ON), 0~95% RHG
Power Supply	DC 12V±10%/PoE
Power Consumption	Max. 5W(IR OFF) (ICR Instant Switch 8.5W) Max. 7W(IR ON)
Circuit Protection	6000V Lightning/Surge Protection: (Power 2000V, RJ45 1000V)
Impact Protection	IP67
IR Range	25m
IR LEDs	2pcs Array
Dimensions	189mm×70mm×70mm
Weight	0.7KG (IP Camera Only); 0.9KG (with Packing Box)

Features

- H.265 compression
- Up to 2560×1440@25fps
- Cable Free Design
- IE, Chrome, Firefox, Safari, Plug-in Free
- Mechanical WDR 120dB
- Smart IR, IR Range: 25m
- VCA Tripwire / Double Tripwire / Perimeter / Object Abandon / Object Lost / Running / Loitering / Parking / Crowd / Audio Abnormal Detection / Video Abnormal Detection
- Interface MicroSD Card Slot supports up to 128GB, Reset Button
- 6000V Lightning/Surge Protection: (Power 2000V, RJ45 1000V)
- IP67, Metal Body

Dimensions



Product Specifications are subject to change without prior notice. The Images shown are only indicative, actual product may vary. Product features are tested under ideal conditions.

<http://www.bpl.in/>